

Divine

EST 1994 WATER more than just water ...



Sego

The art of
espresso coffee





Pure enjoyment!

The Sego is one of Bravilor Bonamat's fully automatic espresso machines. All coffee specialities are made using freshly ground coffee beans. The extensive touchscreen menu offers 30 beverage choices.

Quality

The perfect foundation for any coffee speciality is a well-made espresso. That's why Bravilor Bonamat has used strong, durable materials in the Sego. The stainless steel disks in the grinder flawlessly grind the coffee beans to your specifications, from coarse to fine. Then, the unique rotational brewer optimally extracts the coffee.

Programmable settings

We have put all the standard choices into the menu with great care. Naturally, each drink can be adapted to your specifications. This includes settings like the consistency of grind, pre-wetting, contact time, coffee to water ratio, and the cup size. You can change a setting with just a few taps on the touchscreen. Personal preference settings can be easily and quickly copied to other Sego units using a USB stick.

■ Sego characteristics

- Bean-to-cup: brewed with fresh coffee beans
- Easy, quick installation
- Very easy to operate
- Intuitive touchscreen
- Menu with up to 30 choices
- Unique rotational brewer that's easy to remove and clean (NSF certified)

Compact footprint

The Sego is suitable for many locations. After all, the machine takes up very little space thanks to its compact footprint. Moreover, the Sego can operate perfectly without a fixed water connection thanks to its additional pump set and water bottle/tank.

The Sego has been developed for locations where a consumer machine is not sufficient but a large, professional machine is too big and often too expensive. Think about smaller offices with a limited amount of counter space, waiting rooms in smaller SME shops, or your local bakery around the corner that wants to offer an extra service.

The Sego can be connected to an external payment system and read remotely (telemetry) using an MDB service set.

-
- Instant canisters**
 - Bean canister**
 - Strong grinder**
 - Patent Bravilor Bonamat mix system**
 - Patent rotational brewer**
 - Waste bin**



■ Sego 12

The Sego 12 includes one bean canister and two canisters for instant ingredients. You can offer many different drinks thanks to this variety of ingredients.

The range of drinks depends on the ingredients you choose. Topping (powdered milk) and cocoa are usually the ingredients that are picked.

Using these instant ingredients and fresh coffee beans, you can serve various drinks like Coffee crema, Café au lait, Cappuccino, Espresso, Espreschoc, Americano, Latte macchiato, Moccachino, Hot chocolate, and Hot chocolate deluxe. Naturally, you can also offer hot water, for tea or soup.

When the Sego hasn't been used for a certain amount of time, the machine will automatically go into energy-saving mode.

■ Maintenance-friendly

The touchscreen will communicate the maintenance activities. For example, when the waste bin needs to be emptied, when the machine needs to be descaled, and when the brewer needs to be cleaned. In addition, the unique hot water system minimises lime build-up. And naturally, this means less maintenance.

We've also considered the housing. The stainless dark housing is made of brushed stainless steel. The black fingerprint resistant coating ensures that fingerprints are a thing of the past.



Transparent canisters

The Sego has three canisters. The canisters' transparency lets you see immediately if an ingredient needs to be refilled.



Coffee beans

The Sego has a decorative window in it. The customer can place the coffee beans in here to demonstrate that every cup is made with freshly ground beans.

Technical details

	Sego 12
Capacity bean canister	1x1.2 kg
Capacity instant canisters	2x1.3 L
Throughput per hour	
– Espresso	120-150 cups (40 cc)
– Coffee crema	80-100 cups (125 cc)
– Instant	approx. 240 cups (30 L)
Rated power	230V~ 50/60Hz 2250W
Dimensions (wxdxh)	310x464x588 mm
Tap height	106 mm
Water supply	Yes
Water pressure	Min. 1 bar

Sego as a marketing tool

The Sego lends itself exceptionally well to merchandising. Firstly, a personalised screensaver can be set for the full-colour touchscreen. The background and the pictures of the drinks can be designed to your specifications. Media files can be easily imported thanks to the USB port in the door of the machine.



We advise

- Bravilor Bonamat espresso cleaning tablets for cleaning the brewer.
- Bravilor Bonamat *Renegite* for descaling the hot water system.
- Bravilor Bonamat BSRS 200 water filter system to minimise descaling.

Branding

Depending on the desired amount, stickers or a full print can be applied to the housing. This way, you can use the Sego as a marketing and communication tool to promote your (coffee) brand.

Please contact Bravilor Bonamat directly for more information.

Made in the Netherlands

Bravilor Bonamat has ultra-modern machinery. The production unit and the headquarters are located in the Netherlands. You will find many metalworking processes taking place at the production unit, including welding, laser-cutting, grinding, injection moulding, and punching.

The espresso machines are made with durable materials that ensure a strong, high-quality product. The advanced machines and trained employees guarantee the quality of Bravilor Bonamat products.

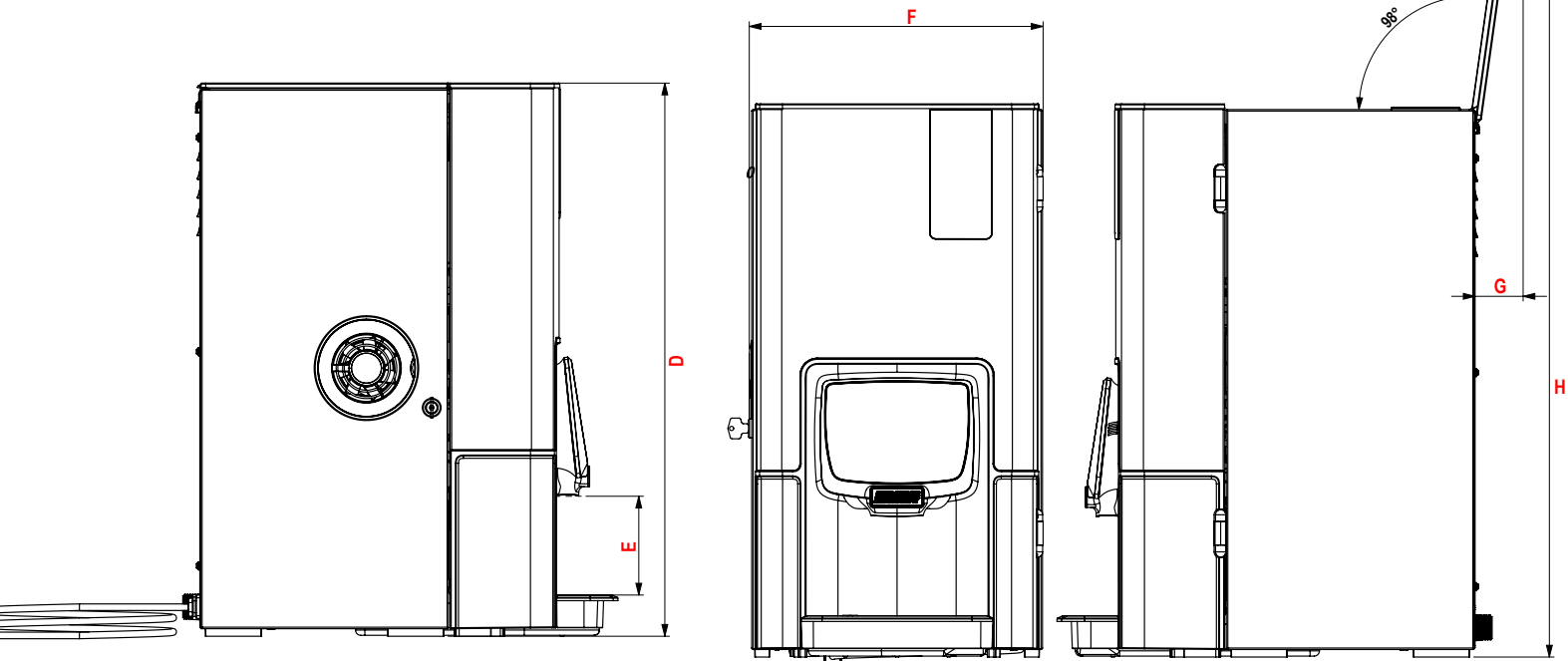
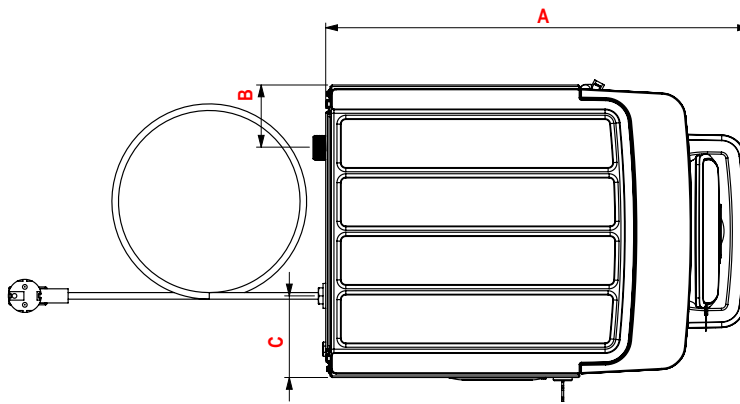
The high level of quality control and our business ambition to be a sustainable company minimising the impact on the environment have been recognised by various international organisations.

Every machine is extensively tested before leaving the warehouse.

ESPRESSO



Ref.	mm	inch
A.	450	17.72
B.	66	2.59
C.	87	3.43
D.	588	23.15
E.	105	4.13
F.	313	12.32
G.	51	2.00
H.	905	35.63



03300 241870
www.divinewater.co.uk

